

Miniature Solenoid Valves

Kuhnke 64 Series Valve - 3/2 Way N/C Standard Base - Low Power

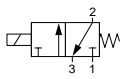
Technical information

Temperature range:	-10°C...+50°C
Valve type:	Poppet
Duty cycle:	Continuous 100%
Housing:	Brass body, encapsulated coils
Seals:	NBR
Lubricant:	Not required.
Earthing contact:	Part of the standard device.
Operating medium:	5 micron filtered, lubricated or non-lubricated compressed air.

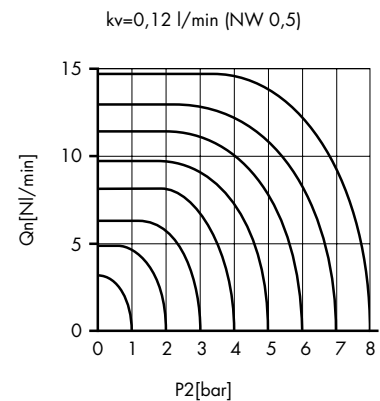
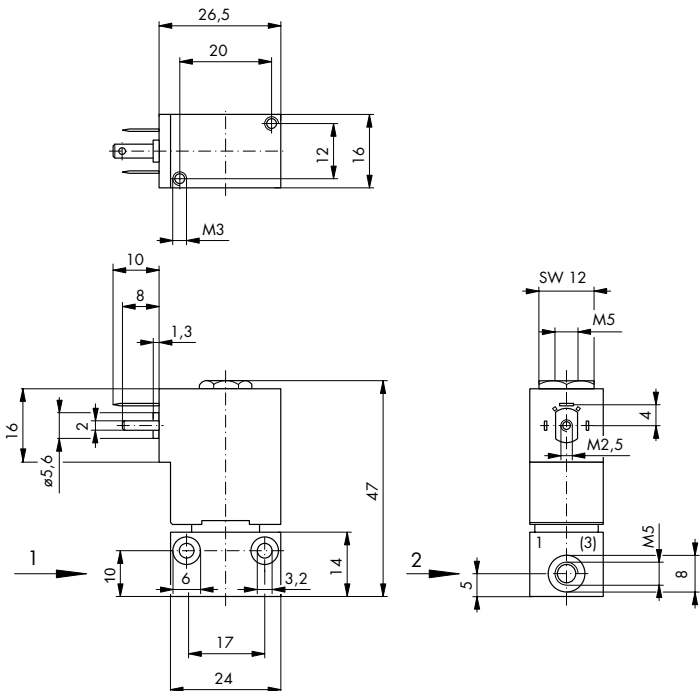


Other information

Insert coil voltage required to complete the order code, example 64.011.24VDC.
 Standard voltages are 12 and 24 VDC. Preferred types** in 24VDC.
 For non-preferred versions, minimum order quantities may apply.
 Order connecting plugs separately, see data sheet M1006.

Symbol	Description	Max. Pressure	Coil Power	Orifice	Ports	Order code
	3/2 way spring return normally closed DC coil	8 bar	DC 1.8 W	0.5mm	M5	64.011**

Dimensional drawings



Impulse Automation Limited
United Kingdom
Company Registration 665193